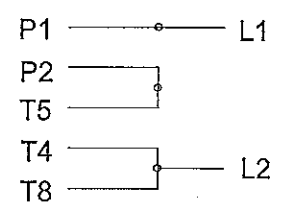


10 HP

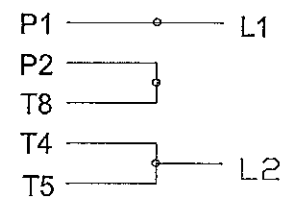
Z116-010

CONNECT:  
START CAPACITORS IN SERIES-PARALLEL.  
RUN CAPACITORS IN PARALLEL

C.W. ROTATION

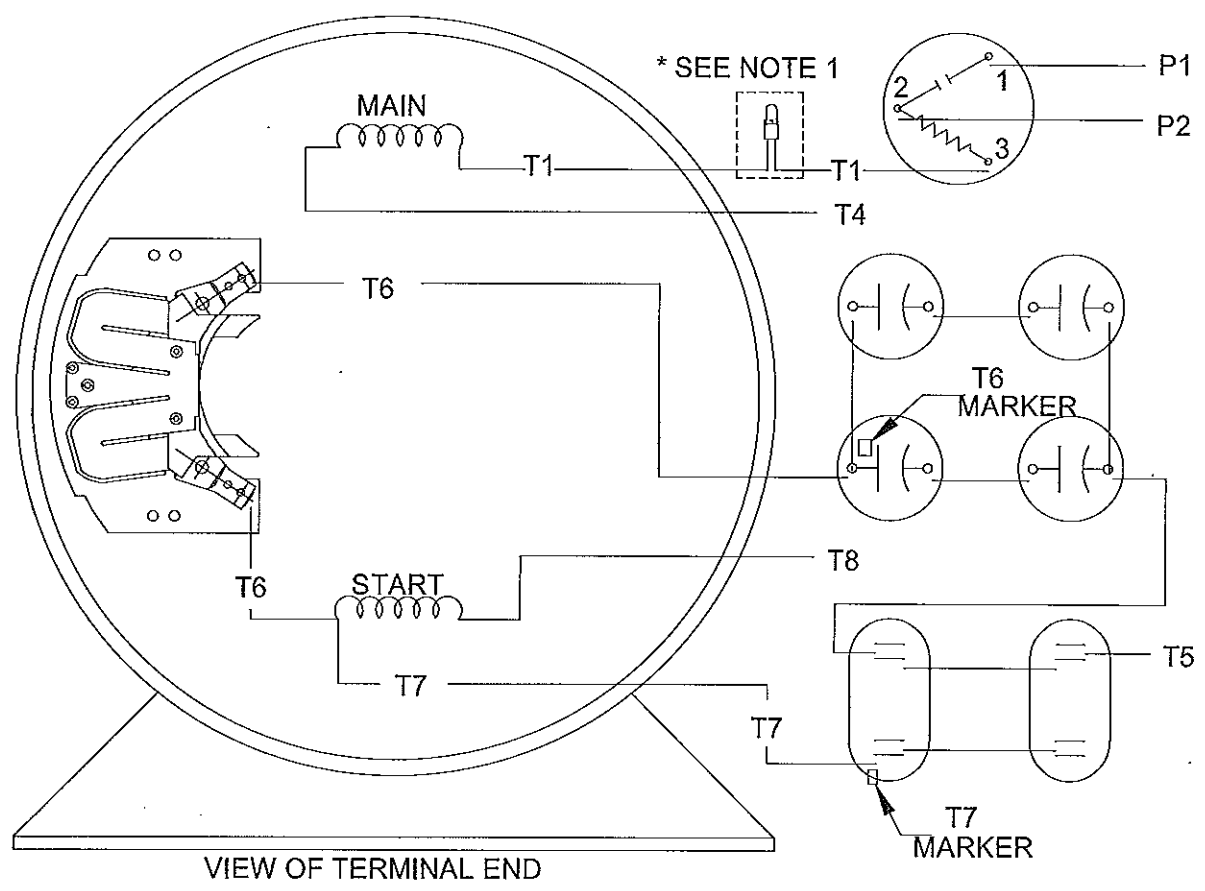


C.C.W. ROTATION



SINGLE VOLTAGE  
CAPACITOR START  
CAPACITOR RUN  
REVERSIBLE

NOTE:  
1. USE PRESURE CONNECTOR  
ONLY IN MT2 PLANT



		TOLERANCES UNLESS SPECIFIED		MARATHON ELECTRIC		DRAWN MJD 07-10-1998			
		DEC.	INCHES			CHK MRB 07-10-1998			
		.X	±.1	TITLE CONNECTION DIAGRAM		APPD DR 07-13-1998			
		.XX	±.02			SCALE 1=1.25			
		.XXX	±.005			REF			
01	ADDED PRESSURE CONNECTOR IN MT2 MODEL	NB	10/5/2011	AK	.XXXX	±.0005	MAT'L.	FMF	
NO.	REVISION	BY & DATE	CHK	ANG	±7'30'	FINISH		PREV	
THIS DRAWING IN DESIGN AND DETAIL IS OUR PROPERTY AND MUST NOT BE USED EXCEPT IN CONNECTION WITH OUR WORK ALL RIGHTS OF DESIGN AND INVENTION ARE RESERVED THIS IS AN ELECTRONICALLY GENERATED DOCUMENT - DO NOT SCALE THIS PRINT				RFP	CAD FILE	EE9048PB	SIZE	DRAWING NO.	REV.
				DIST			A	A-EE9048PB	01